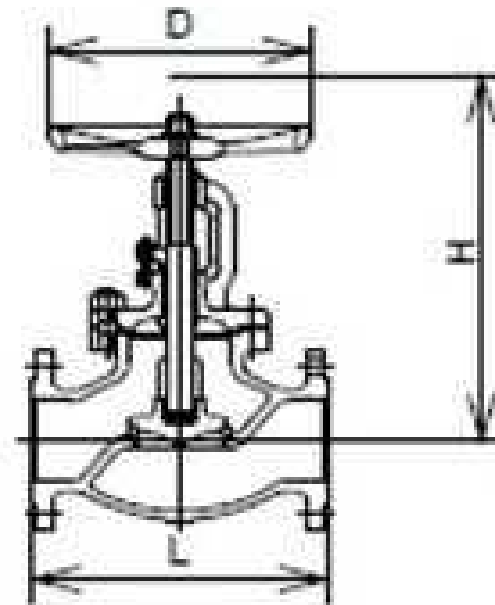


Product Code **M20KFGO**

20K

Globe Flanged OS and BB type

Product Name	Material	Remarks
Body	FCD-S	
Cover	FCD-S	
Stem	SUS403	
Disc	S28C	Hard facing / Nominal diameter: 50-200A
	S25C	Hard facing / Nominal diameter: 250A
Seat ring	S28C	Hard facing
Handwheel	FCMB340	Nominal diameter: 50-65A
	FCD450	Nominal diameter: 80A or larger
Gasket	H1215	
Gland Packing	H350+H2200	



Nominal diameter (A)	50	65	80	100	125	150	200	250
L	267	292	318	356	400	444	559	622
H	329	355	390	445	515	595	685	820
D	224	250	300	315	355	400	450	560